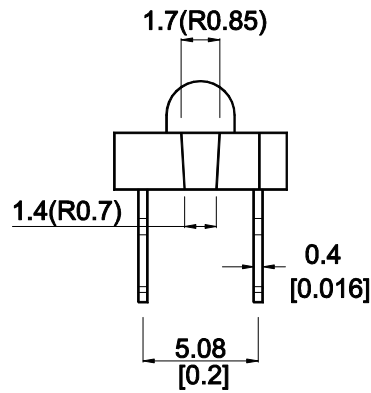
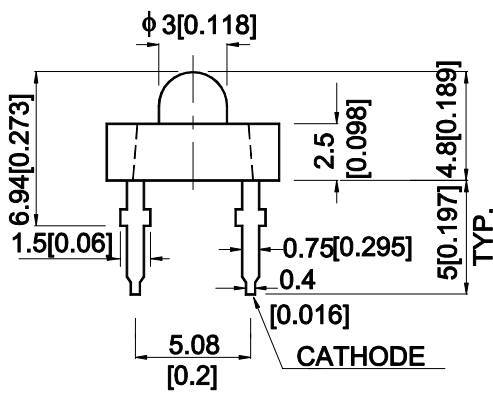
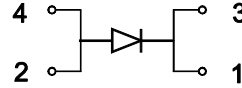
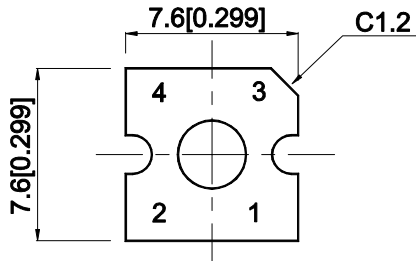


**SUPER FLUX LEDS**



UNIT : MM(INCH)

TOLERANCE : ± 0.25[± 0.01] UNLESS OTHERWISE NOTED.

**Selection Guide**

Part No.	Dice	Lens Type	Iv (mcd) @20mA *70mA		Viewing Angle
			Min.	Typ.	2θ 1/2
L76761CPWC	WHITE (InGaN)	WATER CLEAR	400	600	20°
			*1000	*1700	

APPROVED:

J. Lu

CHECKED:

J. Chao

DRAWN :

L.N. Sheu

SCALE :

3 : 1

DATA NO. : F9283

V.1

DATE : OCT/24/2000