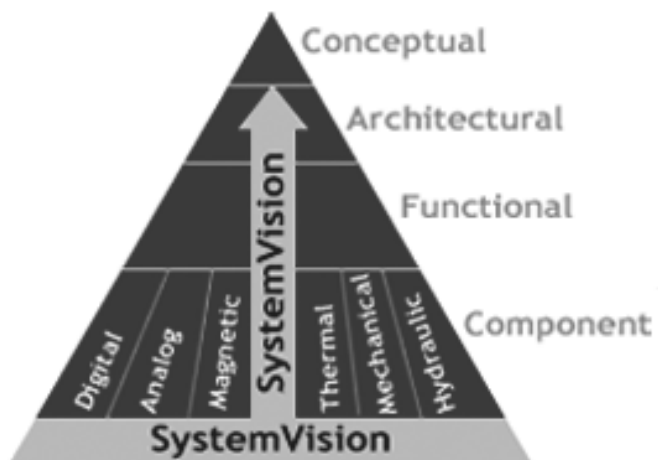


IEEE Seminar: **Mentor Graphics**  
**SystemVision**

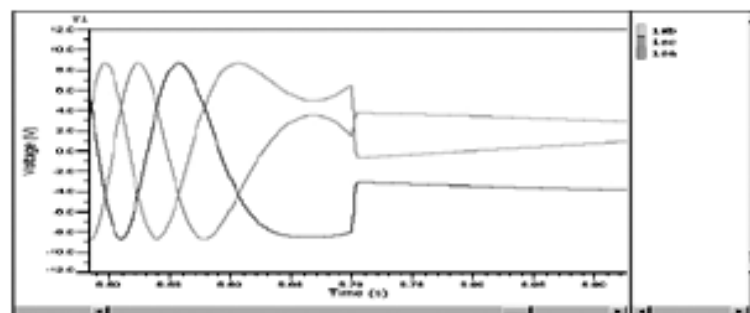
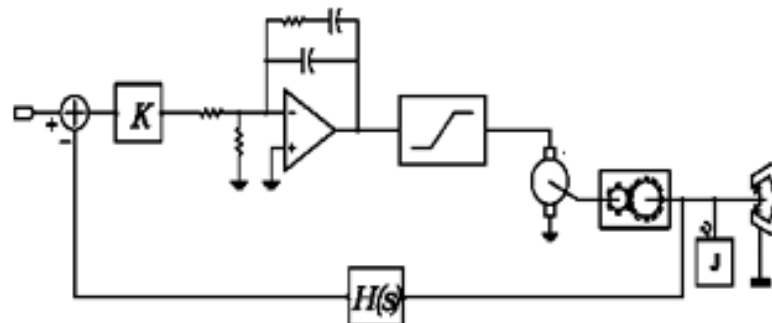
Mentor Graphics' new mixed-signal simulator  
<http://www.mentor.com/systemvision/>

Join speaker Josh Carnes to discover what SystemVision -- a fusion of SPICE, VHDL, and system-level simulators -- can do for your projects, homework, and research!

**Thu, NOV 6th  
6:00pm, Owen103**



System Modeling



**FREE PIZZA!!!  
and a chance  
to win PRIZES**



The System Designer's  
Guide to VHDL-AMS