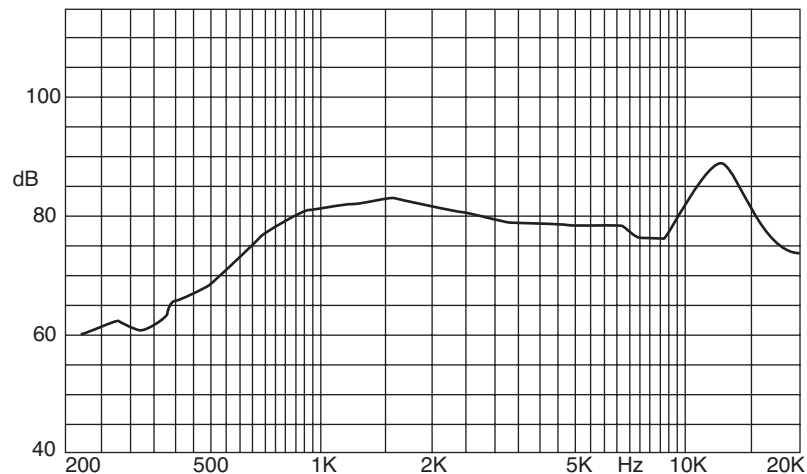
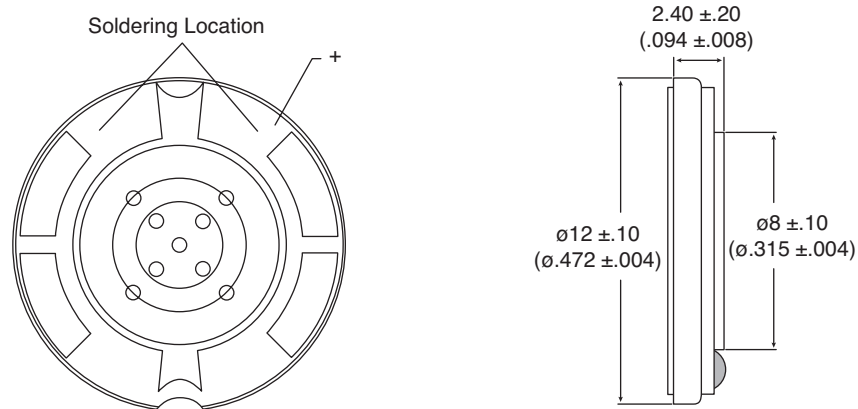


Part Number:

254-PS600



Speaker

KT-400164

Electrical Specifications:

- Frequency range: 1,000 ~ 20,000Hz
- S.P.L.: 83 ±3dB / 0.3W 0.1 meter average
- Power Rating: Normal .3W, Maximum .5W
- Lowest Resonant Frequency: 1000 ±200Hz
- Distortion: max. 10% at 1,600Hz .3W
- Nominal Impedance: 8Ω ±15% at 1,000Hz / 1.0V

Mechanical Specifications:

- Operating Temperature: - 25°C ~ +50°C
- Storage Temperature: - 25°C ~ +55°C

Materials:

- Magnet: NDFEB Size
- Weight: 0.7g